

Two Options for DistaView Bubbler Controllers:



1. ~~Level Air~~ ~~Control~~ ~~Systems~~ ~~Models~~

- Self contained air compressor does not need plant air; just 120 volt supply.
- No moving parts or electrical items contact the liquid.
- Sensing tube is not victimized by fouling as with ball floats or probes.
- Control set points are easy to change.
- No need to have surface clearance for a moving ball and linkage.
- Pneumatic sensor is a ridged tube mounted in tank.
- 3 models to provide multiple control options and alarms.
- Compact design, 8"x10"x3"

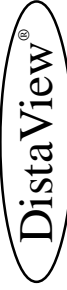
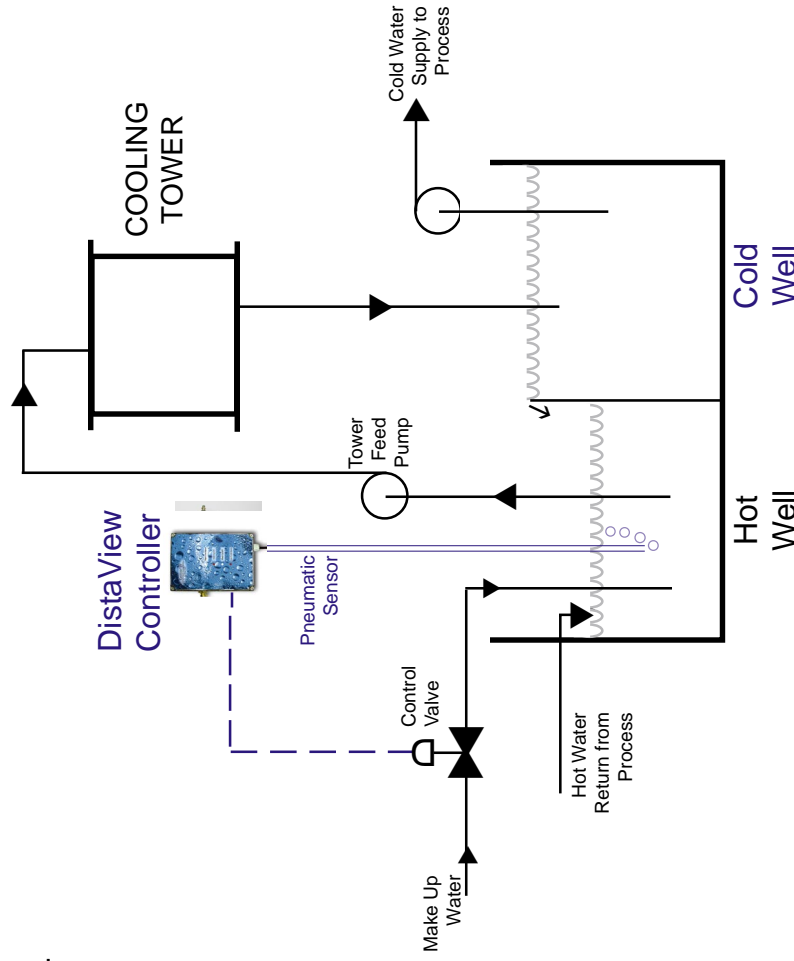


2. ~~KLOC~~ ~~Proportioning~~ ~~Flow~~ ~~Control~~ ~~Valve~~

- Uses plant air to sense liquid level and modulate a valve.
- Does not require any electrical connections or external sensors.
- No moving parts or electrical items contact the liquid.
- Sensing tube is not victimized by fouling as with ball floats and probes.
- Control set points are easy to change.
- No need to have surface clearance for a moving ball and linkage.
- Pneumatic sensor is a ridged tube mounted in tank.
- Two Models; low pressure up to 35 psi and high pressure up to 100 psi.
- Works with any diaphragm or cylinder actuator and most positioners.
- Compact design, 8"x 8"x 8", requires little space and will fit in any location.
- High/low alarm relays are very easy options for added control.

Controllers for Water Make Up on Cooling Towers

Schematic No.: DV704S



DistaView Corporation
 121 East Wooster Street
 Bowling Green, Ohio 43402
 sales@distanview.com
 www.distanview.com
 Tel (419) 354-5087
 Fax (419) 353-6080