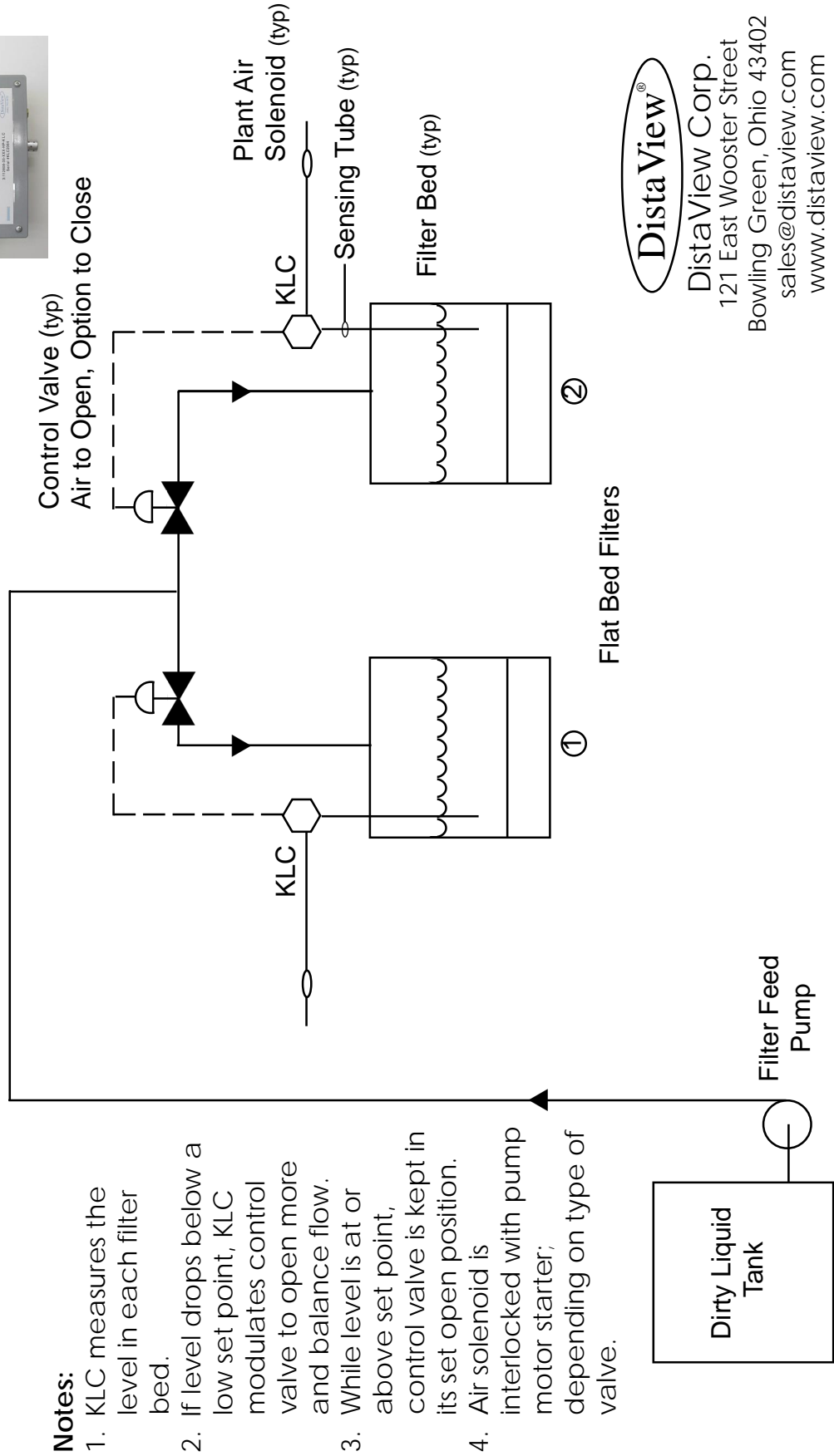


KLC for Balancing Inlet Flow to Parallel Filters for Equal Distribution
Schematic No.: DV503S



Notes:

1. KLC measures the level in each filter bed.
2. If level drops below a low set point, KLC modulates control valve to open more and balance flow.
3. While level is at or above set point, control valve is kept in its set open position.
4. Air solenoid is interlocked with pump motor starter; depending on type of valve.



DistaView Corp.
 121 East Wooster Street
 Bowling Green, Ohio 43402
 sales@dstaview.com
 www.dstaview.com
 Tel (419) 354-5087
 Fax (419) 353-6080