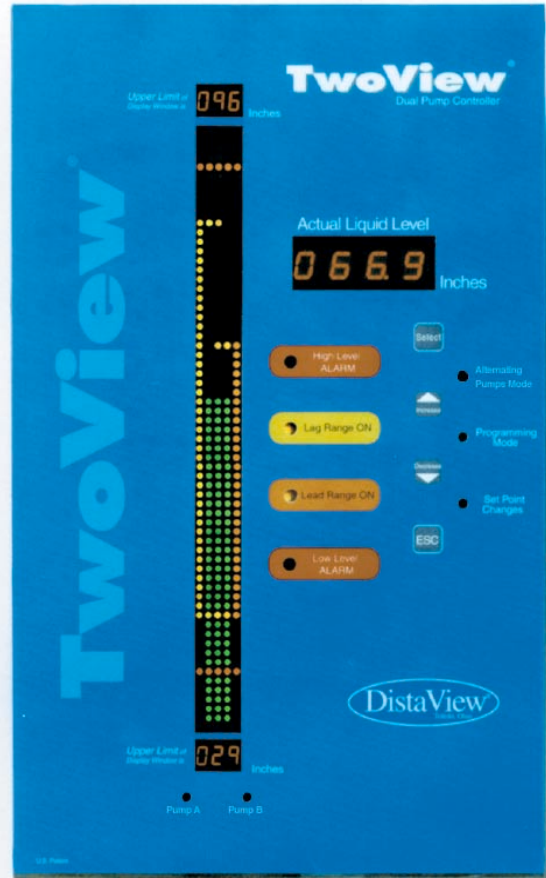


# TwoView® - Dual Pump Controller

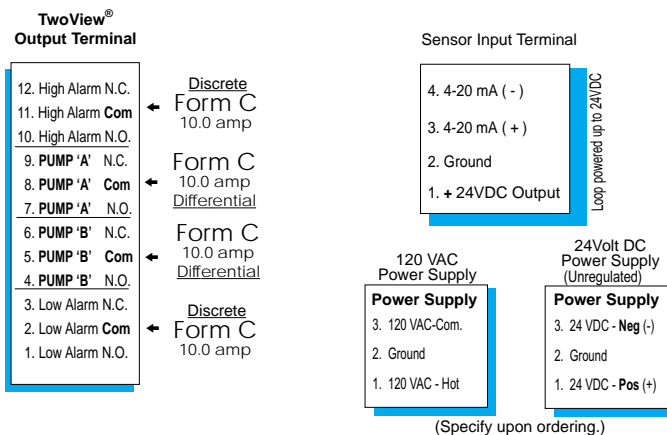
- Lead/Lag Pump Control
- Select Alternating Pumps
- High and Low Alarms
- Unique Bar Display
- Accepts 4-20 mA Sensors

## Lift Station and Water Tower Control ... the solution is easy to see!

TwoView® provides, at a glance, the actual level and high/low alarms in an easy to understand vertical bar display. Patented control features include two differential lead and lag ranges plus alarms. DIP switch selection allows pump alternation and primary pump designation. Easily test either pump circuit from the front of the unit to ensure they are functioning properly. Three levels of access securely protect your data from tampering. Access level is selected with a DIP switch.



TwoView® accepts all types of 4-20 mA sensors, such as pressure, ultrasonic, submersible and bubbler systems. The sensor input is isolated and loop powered up to 24 volts DC, allowing data gathering devices to easily interface. The output terminal has four 10.0 amp Form C relays at 120 VAC. TwoView® accepts either 120 VAC or 24 VDC (unregulated) power. It flush mounts into our pre-cut metal enclosures or into your installation. Complete control systems with starters, enclosures, protection and sensors are also available. Now the solution to reliable water control applications is easy to see!



### Performance Options with DIP Switch

